

Signet 5600 Batch Controller

Member of the ProPoint® Family of Monitors



Analog dial displays batch process; Digital LCD Displays Totalizer

Description

The Signet 5600 Batch Controller provides control capability and process fine-tuning in a familiar package. The programming interface uses a four-button keypad and an intuitive procedure for adjusting a batching system to the best performance possible.

The standard ¼ DIN package houses an analog display panel that features a batch status indicator with count-up or count-down dials. The backlit LCD displays flow rate and volume information and batch status, as well as calibration and setup instructions. The front of the unit is NEMA 4X/IP65 and is hard-coated, high-impact and UV resistant polycarbonate.

The 5600 operates on 12 to 24 volts $\pm 10\%$, regulated, either AC or DC. Removable terminal connections make wiring the 5600 easy. Connect any Signet flow sensor with a frequency output, then add connections to two relays for two-stage shutdown or overrun alarm functions, connect a remote start-stop switch and use the end-of-batch pulse to trigger the next step in the process. A 4 to 20 mA output is also available. Advanced features include a user-set security code, an automatic calibration option, and overrun compensation.

Features

- Permanent and resettable totalizers
- Non-volatile memory
- Easy batch volume entry
- Remote start, stop & resume
- Two-stage shutdown control
- Manual or automatic overrun compensation
- Estimates time to batch completion
- Overrun alarm and missing signal alarm
- Advanced valve control
- End-of-batch trigger
- Count-up or count-down to batch completion

Applications

- Batch Processes
- Filter Backwash Initiation
- Chemical Addition
- Canning & Bottling

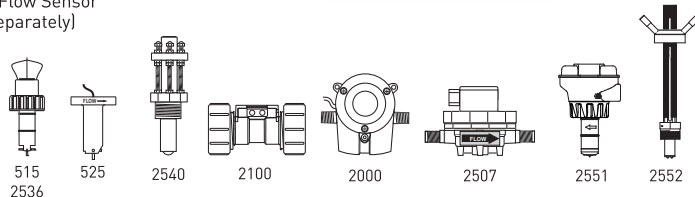
System Overview

Panel Mount

**Signet 5600
Flow Instrument**
(includes mounting bracket and panel gasket)



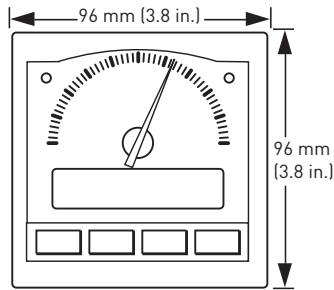
Signet Flow Sensor
(sold separately)



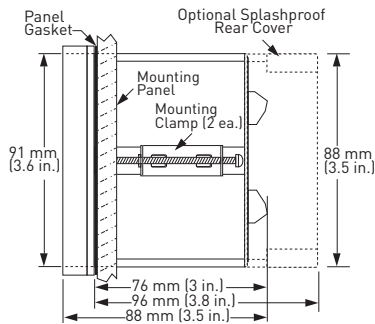
Signet Fittings
or end connectors as required
(sold separately)



Dimensions



Front View



SIDE VIEW

Model 5600

Ordering Notes

- 1) Panel cutout should be 92 x 92 mm (3.62 x 3.62 in.)
- 2) A reversible dial is included and is scaled from 0 to 100 and 100 to 0.
- 3) An optional splash proof rear cover can be ordered separately if needed.

Please refer to Wiring, Installation, and Accessories sections for more information.

Specifications

General

Operating Range:

0.5 Hz to 10 kHz, optically isolated

Accuracy: $\pm 0.5\%$ of reading

Display:

- Analog: Reversible dial - 0 to 100% or 100 to 0%
- Digital: Backlit LCD, 2 x 16 alphanumeric character
- Batch Size: 0 to 999,999 engineering units
- Dual Totalizer: 8-digit resettable and non-resettable
- Additional Functions: End of batch pulse, remote start, stop & resume. Batch in progress. Batch completion, valve control or end of batch
- Option: Two-stage shutdown, overrun alarm, end of batch, or missing signal alarm

Materials

- Enclosure: ABS Plastic
- Keypad: Silicone Rubber
- Panel and case gasket: Neoprene
- Window: Hard-coated polycarbonate

Electrical

Power Requirements:

12 to 24 VAC or DC $\pm 10\%$, regulated recommended, 50 to 60 Hz, 10W max.

Current Output

- 4 to 20 mA, non-isolated, active, internally powered
- Loop Impedance: 350 Ω max. @ 12 V
950 Ω max. @ 24 V
- Accuracy: $\pm 0.1\%$

Alarm Contacts

- Two SPDT relays:
5 A @ 30 VDC
5 A @ 125 VAC
3 A @ 250 VAC max.

Environmental

Operating Temperature:

-10 °C to 55 °C (14 °F to 131 °F)

Relative Humidity:

0 to 95%, non-condensing

Enclosure: NEMA 4X/IP65

Shipping Weight 0.8 kg 1.8 lb

Standards and Approvals

- CE, UL, CUL
- Manufactured under ISO 9001 for Quality and ISO 14001 for Environmental Management

Ordering Information

Mfr. Part No	Code	Description
3-5600	198 825 006	Batch Controller

Accessories and Replacement Parts

Mfr. Part No.	Code	Description
Mounting		
3-5000.395	198 840 227	Splashproof rear cover kit
3-5000.399	198 840 224	5 x 5 inch adapter plate to retrofit older Signet installations
3-5000.598	198 840 225	Surface mount bracket (panel mount only)
3-0000.596	159 000 641	Heavy duty wall mount bracket (panel mount only)
Liquid Tight Connectors		
3-9000.392	159 000 368	Liquid tight connector kit for rear cover (includes 3 connectors)
3-9000.392-1	159 000 839	Liquid tight connector kit, NPT (1 connector)
3-9000.392-2	159 000 841	Liquid tight connector kit, PG 13.5 (1 connector)
Replacement Parts		
3-5000.390	159 000 323	Installation kit (ProPoint® screws, clamps, and mounting brackets)
3-5000.397	159 000 326	5000 series window kit (window, keypad, & screw)
3-5000.525-1	198 840 226	Bezel, 5000 series
3-5600.360	159 000 887	Replacement dial
3-5500.611	198 840 230	Unit tags
Other		
3-5000.398	159 000 646	Protective overlay kit (10 pcs.)
3-5000.075	159 000 321	110V/24 VAC transformer
3-8050.396	159 000 617	RC filter kit (for relay use)