

PRESSURE INDICATOR

WITH VERY LARGE DIGITS



D-Series advantages

- Unique, robust IP66, IP67 (NEMA Type4X) panel mount front enclosure made of die cast aluminum, allowing even **big jets** of water and **total immersion**.
- Programming can be done by your own crew with the exact same, plain and sensible menu-driven structure like the F-Series, saving cost and irritation. **Know one, know them all!**

Features

- Displays actual pressure and measuring unit.
- Very large 26mm (1") digits.
- Piegraph indication: ten segments.
- Number of digits for pressure: 5 1/2.
- Selectable on-screen engineering units: mBar - Bar - PSI.
- Ambient temperature -40°C up to +80°C (-40°F up to 176°F).
- Auto backup of all settings.
- LED backlight option.
- Input loop powered, battery powered or 8 - 30V DC, 24V AC and 115 - 230V AC.
- Sensor supply 8.2 / 12 / 24V DC.

Signal input

Pressure

- (0)4 - 20mA.
- 0 - 10V DC.

Applications

- The D-Series is a DIN-sized display and the **better alternative** for your existing, not waterproof, front panel mount indicators in extreme weather outdoor applications or e.g. in food industries where working environments are often cleaned with powerful water jets.
- The D050 fits in applications where a basic pressure measurement display is required without pressure monitoring. Alternative models: D053 or the F-Series pressure indicators.

General information

Introduction

The Do50 is a straight forward, panel mount pressure indicator. The measuring unit to be displayed is simply selected through an alphanumeric configuration menu. No adhesive labels have to be put on the outside of the enclosure: a weather proof and user friendly solution! The configuration of the Span, off-set and number of decimals is done through software functions, without any sensitive dip-switches or trimmers.

Display

The display has very large 26mm (1") digits which displays the pressure and measuring unit. The display is a transfective type, which means that a high contrast reading is guaranteed, even in full sunlight. The Do50 has a smart display update function incorporated. Related to the lower temperatures, the update frequency of the LCD is tuned automatically to achieve a readable display even at -40°C / -40°F.

Backlight

For those applications where readability during day and night is an issue, a white backlight is available. The intensity can be adjusted in the configuration menu.

Configuration

All configuration settings are accessed via a simple operator menu which can be password protected. Each setting is clearly indicated with an alphanumeric description, which avoids confusing abbreviations. Once familiar with one D-series product, you will be able to program **all models in all series** without a manual. All settings are safely stored in EEPROM memory in the event of sudden power failure.

Signal input

The Do50 does accept (0)4 - 20mA and 0 - 10V input signals from any type of pressure measurement device. The input signal type can be selected by the user in the configuration menu without having to adjust any sensitive mechanical dip-switches, jumpers or trimmers. Also a 4 - 20mA input loop powered model is available.

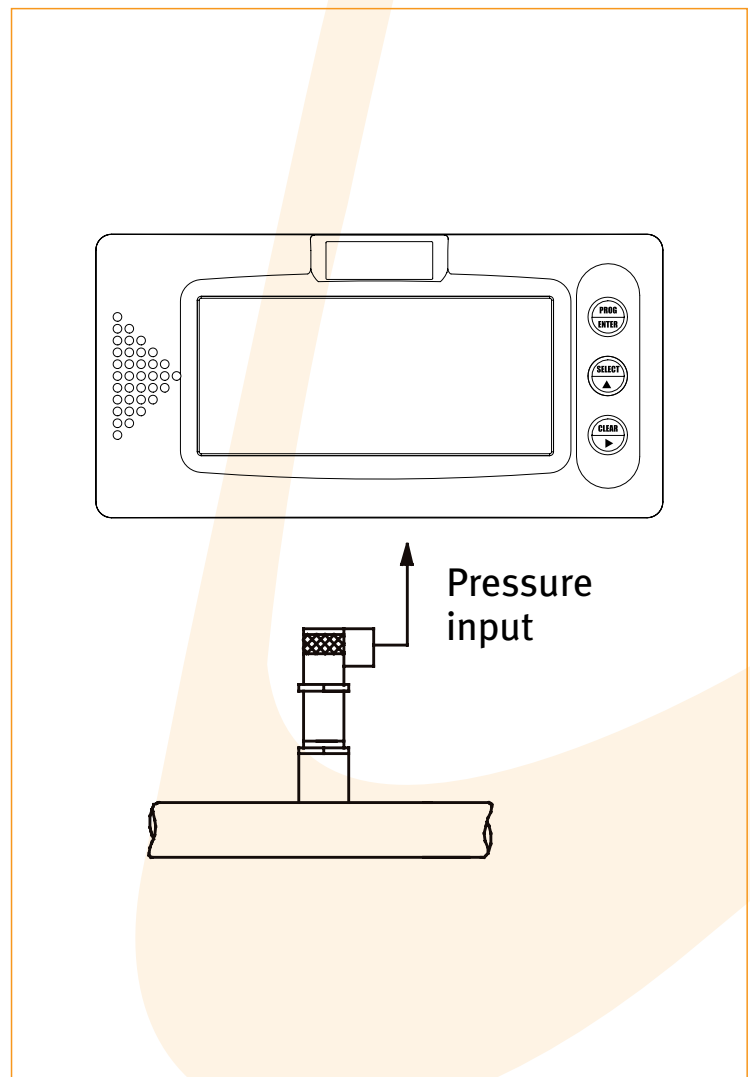
Power requirements

The basic power supply for the Do50 is 8 - 30V DC. Several other power supplies are possible: With the 24V AC/DC and 115 - 230V AC power supplies, an 8.2 / 12 / 24V DC sensor supply is offered. For analog sensors, a 4 - 20mA input loop powered version is available. Finally we offer a long life lithium battery with a life expectancy that will last up to five years.

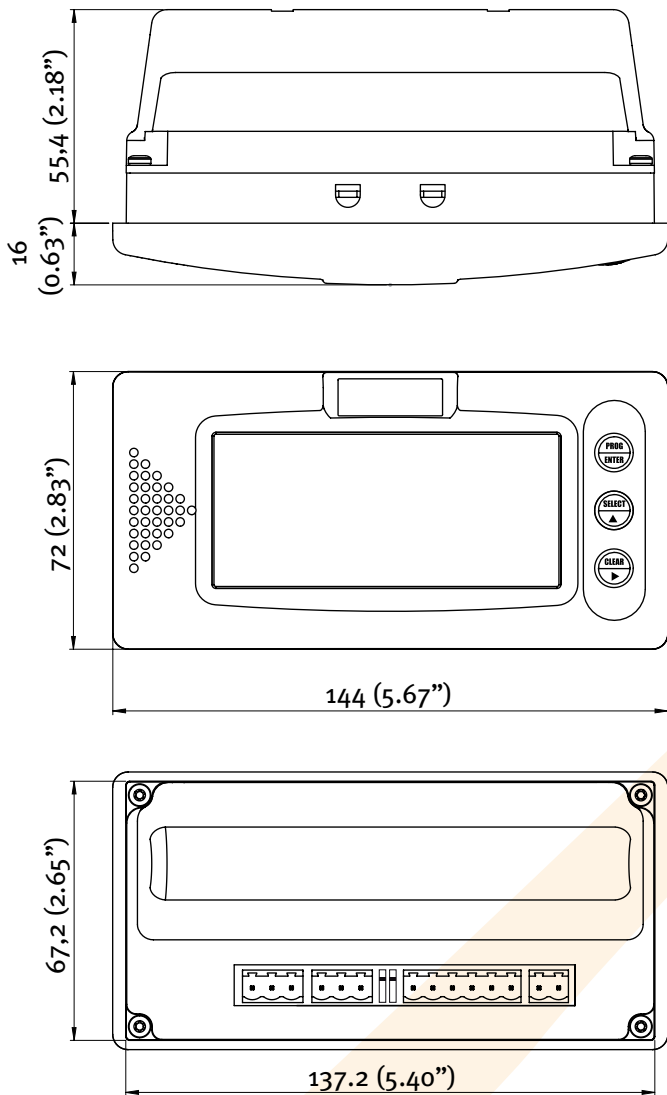
Enclosure

The Do50 is supplied in a unique, robust IP66, IP67 (NEMA Type4X) class panel mount front enclosure made of die cast aluminum, based on a popular DIN sized enclosure of 144 x 72mm. The front enclosure withstands powerful water jets and even total immersion. The maximum thickness of the panel is 6mm (1/4"). The D-Series is the better alternative for your existing, not waterproof, front panel mounted indicators.

Overview application Do50

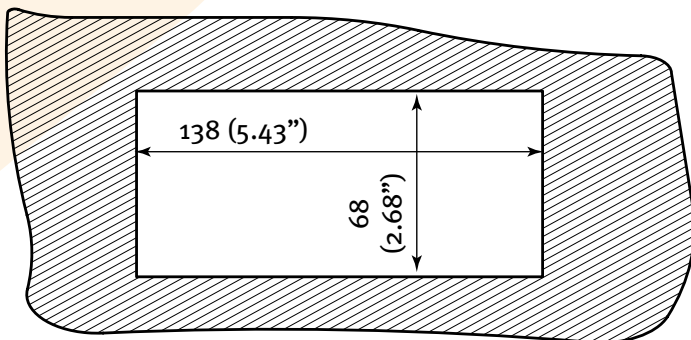


Dimensions enclosure



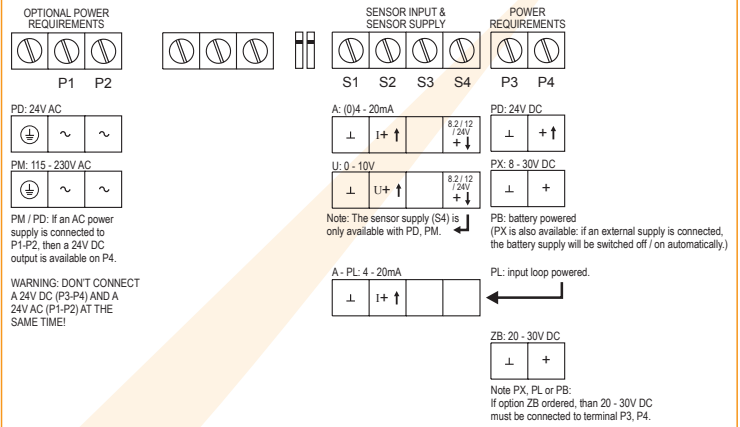
Dimensions according DIN 43700 / IEC 61554

Dimensions panel cut-out



Maximum panel thickness: 6mm (1/4")

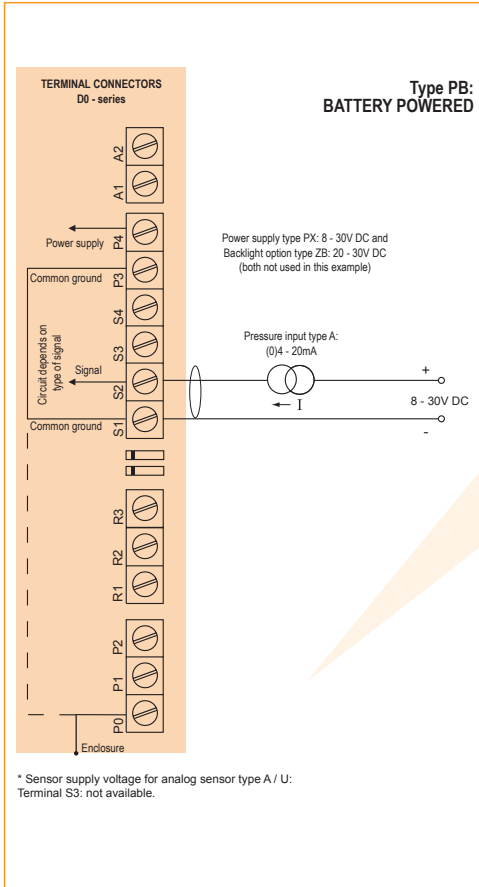
Terminal connections Do50



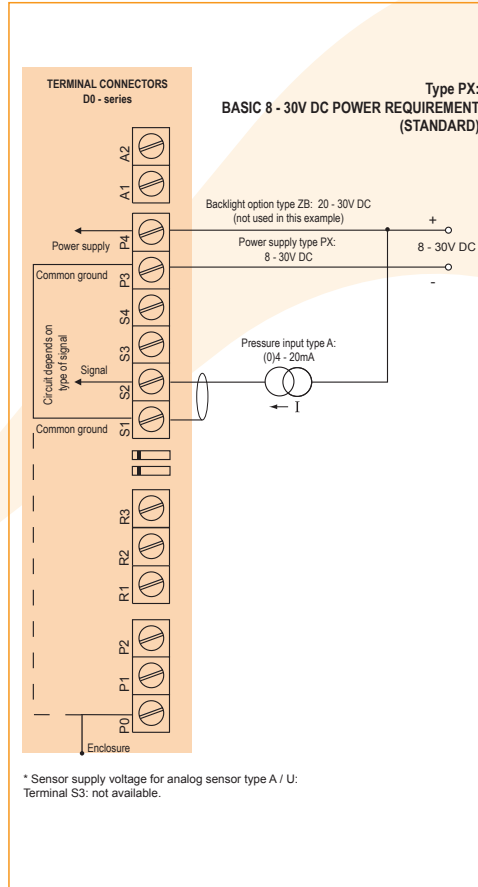
Display example - 90 x 40mm (3.5" x 1.6")



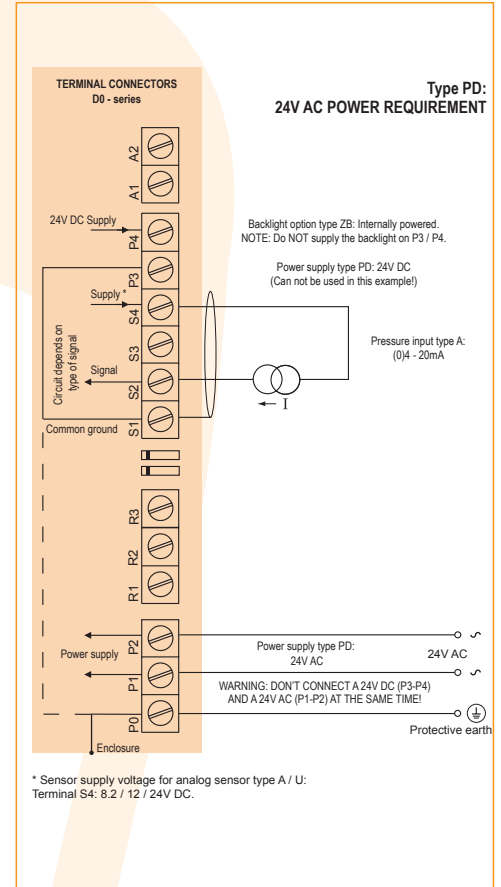
Wiring diagram Do50-A-PB-(PX)-(ZB)



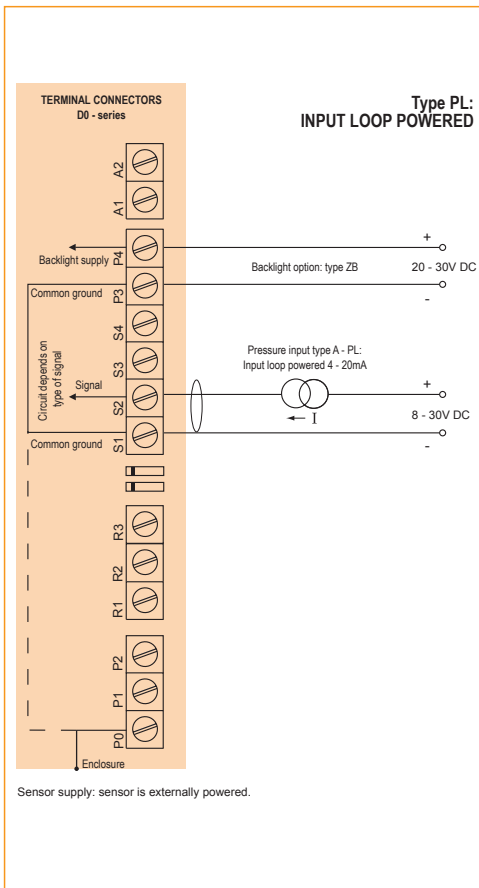
Wiring diagram Do50-A-PX-(ZB)



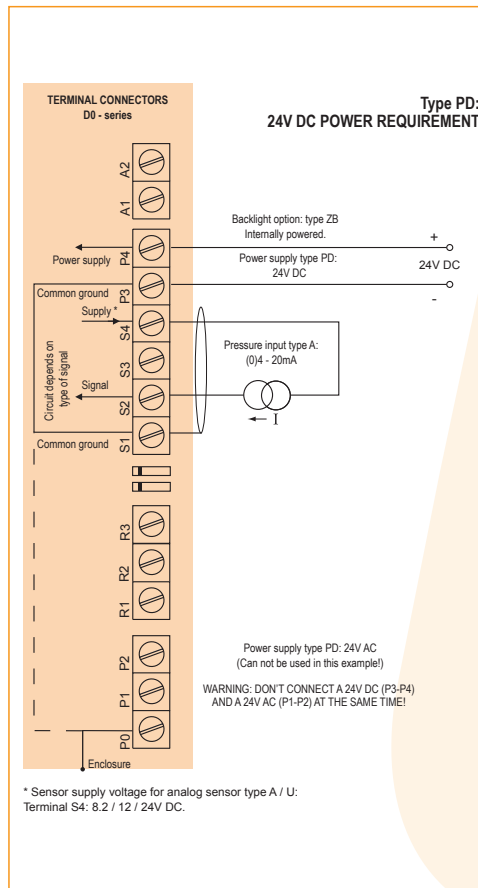
Wiring diagram Do50-A-PD-ZB



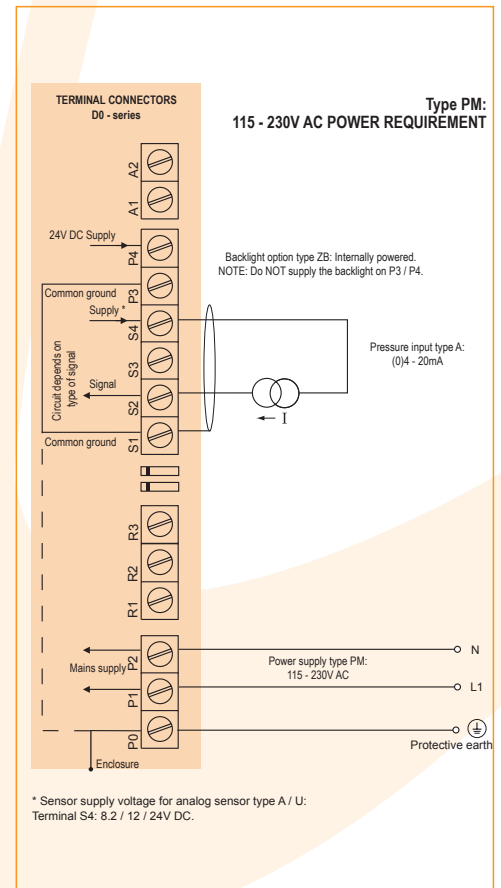
Wiring diagram Do50-A-PL-ZB



Wiring diagram Do50-A-PD-ZB



Wiring diagram Do50-A-PM-ZB



Technical specification

General

Display	
Type	High intensity reflective numeric and alphanumeric LCD, UV-resistant.
Dimensions	90 x 40mm (3.5" x 1.6").
Digits	5 ¹ / ₂ very large 26mm (1") digits. Various symbols and measuring units.
Piegraph	Ten segments - related to the input signal.
Refresh rate	User definable: fast, 1sec, 3sec, 15sec, 30sec, off.
Option ZB	Transflective LCD with white LED-backlight. Intensity can be adjusted in the configuration menu. Good readings in full sunlight and darkness.

Ambient temperature

Safe areas	-40°C to +80°C (-40°F to +176°F).
------------	-----------------------------------

Power requirements

Type PB	Long life Lithium battery - life-time depends upon settings and configuration - up to 5 years. (requires PL or PX)
Type PD	24V AC/DC ± 10%. Power consumption max. 1 Watt.
Type PL	Input loop powered from sensor signal 4 - 20mA (requires type A).
Type PM	115 - 230V AC ± 10%. Power consumption max. 1 Watt.
Type PX	8 - 30V DC. Power consumption max. 0.3 Watt.
Type ZB	20 - 30V DC. Power consumption max. 1 Watt. With type PD / PM: internally powered.

Sensor excitation

Type PB/PX	Not available.
Type PD / PM	Dipswitch adjustable sensor supply: 8.2V DC, I _{out} max. 35mA @ 20°C. 12V DC, I _{out} max. 50mA @ 20°C. 24V DC, I _{out} max. 75mA @ 20°C. (this voltage can vary depending on the input supply voltage)

Terminal connections

Type	Removable plug-in terminal strip. Wire max. 1.5mm ² and 2.5mm ² .
------	--

Data protection

Type	EEPROM backup of all settings. Data retention at least 10 years.
Password	Configuration settings can be password protected.

Directives & Standards

EMC	Directive 2014/30/EU, FCC 47 CFR part 15.
Low voltage	Directive 2014/35/EU.
RoHS	Directive 2011/65/EU.
IP & NEMA	EN 60529 & NEMA 250.

Enclosure

General	
Window	Polycarbonate window.
Sealing	Silicone.
Control keys	Three industrial micro-switch keys. UV-resistant silicone keypad.

Panel mount enclosure

Dimensions	144 x 72 x 71.4mm (5.67" x 2.83" x 2.81") - W x H x D according DIN 43700 / IEC 61554.
Panel cut-out	138 x 68mm (5.43" x 2.68") L x H.
Material	Die-cast aluminum front panel + GRP back enclosure
Protection	IP66, IP67 (NEMA Type4X) at the front-side.
Weight	325 gr.
Panel thickness	Max. 6mm (1/4").

Signal input

Pressure sensor	
Type A	(0)4 - 20mA. Analog input signal can be scaled to any desired range within 0 - 20mA.
Type U	0 - 10V DC. Analog input signal can be scaled to any desired range within 0 - 10V DC.
Accuracy	Resolution: 16 bit. Error < 0.01mA / ± 0.05% FS. Low level cut-off programmable.
Span	0.00001 / 199,999 with variable decimal position.
Offset	-99,999 / +199,999 units.
Update time	Four times per second.
Voltage drop	Type A: max. 1V DC @ 20mA.
Voltage drop	Type A - PL (loop powered): max. 2.6V DC @ 20mA.
Load impedance	Type U: 3kΩ.
Relationship	Linear and square root calculation.
Note	For signal type A and U: external power to sensor is required; e.g. type PD / PM.

Operational

Operator functions	
Displayed functions	<ul style="list-style-type: none">• Actual pressure.• Measuring unit.

Pressure

Digits	5 ¹ / ₂ digits.
Units	mbar, bar, PSI, no-unit.
Decimals	0 - 1 - 2 - 3 - 4 or 5.

Ordering information

Standard configuration: D050-A-HB-PX-XX-ZX.

ordering information:	D050	-	-	-HB	-P	-	-XX	-Z	-
Pressure input signal									
A	(0)4 - 20mA input.								
U	0 - 10V DC input.								
Panel mount front enclosure - IP66, IP67 (NEMA Type4X)									
HB	Aluminum DIN 43700 / IEC 61554 front panel.								
Power requirements									
PD	24V AC / DC + sensor supply.								
PL	Input loop powered from sensor signal 4 - 20mA - requires type A.								
PM	115 - 230V AC + sensor supply.								
PX	Basic power supply 8 - 30V DC (no real sensor supply).								
Additional battery supply (optional)									
PB	Lithium battery powered - requires PL or PX.								
Hazardous area									
XX	Safe area only.								
Other options									
ZB	Backlight.								
ZX	No options.								

The bold marked text contains the standard configuration.

Specifications are subject to change without notice.



Quality
ISO 9001

www.dekra-seal.com

Fluidwell bv
P.O. Box 6
5460 AA - Veghel - The Netherlands
Telephone: +31 (0)413 343 786
Telefax: +31 (0)413 363 443
email: displays@fluidwell.com
Internet: www.fluidwell.com

