

M-Flow product information



High-precision control valves for gases and liquids

Precise setting and tightly closing: High-precision control valves M-Flow

The high-precision control valves allow an accurate flow adjustment and V-Stack offers a scalable gas distribution system.

Tightly closing valves



The valves are tight-closing

Different device setups



The valves are available as straight valves, corner valves, or valve cartridges for self-mounting

Direction of closing



Cw- or ccw-closing versions are available



Various knobs

Different rotary knobs are available:

- Standard knob
- Standard knob with locking ring (see picture)
- Digi knob, 100 divisions
- Locking nut (instead of standard knob)
- Digiturn with display, 100 division

Gas distribution system V-Stack

The compact gas distribution system V-Stack is capable of metering up to 12 outlets individually



- 1 inlet (G 1" female)
- Up to 12 outlets with one valve per outlet (G 1/2" female)
- Can be easily expanded by the customer (up to 12 outlets)
- Type 35 instrument size only



V-Stack
with 8 outlets and Digiturn knob with display



M-Flow 25
Digi knob
100 divisions



M-Flow 25
Digiturn with display
100 divisions

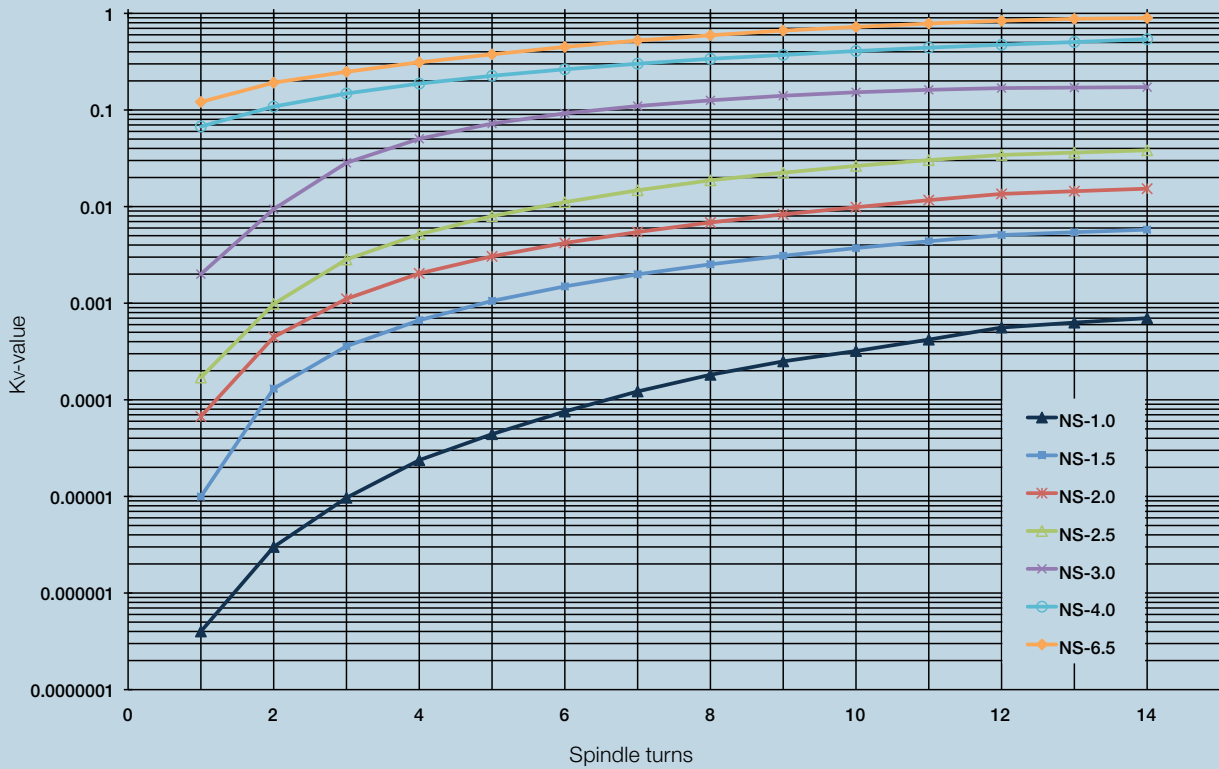
Technical specifications high-precision control valves M-Flow

Instrument versions	<p>Compact, modular construction</p> <p>Aluminium/brass or stainless steel</p> <p>Seal materials: FKM, EPDM or FFKM</p> <p>Straight valve, corner valve or valve cartridges (for self-mounting)</p> <p>Leak-proof when closed</p> <p>15 turn spindle, no hysteresis</p> <p>Cw- or ccw-closing</p> <p>Different Kv-values for optimum control ranges</p> <p>Non-rotating valve needles for stable settings</p> <p>Every M-Flow valve is tested and controlled</p> <p>We provide customer-specific versions</p>			
Instrument versions	Setup	<p>Straight valve</p> <p>Corner valve</p> <p>Valve cartridge</p> <p>Distributor</p>		
	Material	<p>Aluminium/brass/FKM</p> <p>Stainless steel/FKM</p> <p>Stainless steel/EPDM</p> <p>Stainless steel/FFKM</p>		
	Connection	<p><i>M-Flow 25</i> G 1/4" female*</p> <p>G 1/8" female</p> <p>G 1/4" female for compression fittings</p> <p>NPT 1/4" female</p> <p><i>M-Flow 35</i> G 1/2" female</p> <p><i>M-Flow V-Stack</i> Inlet: G 1", Outlet: G 1/2"</p>		
	Valve rotating direction	Cw-* or ccw-closed		
	Actuator	<p>Standard knob*</p> <p>Standard knob with locking ring</p> <p>Digi knob, 100 divisions, ccw-closed valve</p> <p>Locking nut (instead of standard-knob)</p> <p>Digitum, 100 divisions, cw-closed valve</p>		
Technical data	Type	M-Flow 25	M-Flow 35	M-Flow V-Stack
	Straight valve	●	●	
	Corner valve	●		
	Valve cartridge	●	●	
	Gas distribution system			●
	Cw-closed	●	●	●
	Ccw-closed	●		
	Leak rate	< 1 x 10 ⁻⁵ mbar l/s He	< 1 x 10 ⁻⁵ mbar l/s He	< 1 x 10 ⁻⁵ mbar l/s He
	Max. pressure	20 bar	20 bar	20 bar
	Min. temperature	-40 °C	-40 °C	-40 °C
	Max. temperature	150 °C	150 °C	150 °C

*Standard – Subject to technical alterations

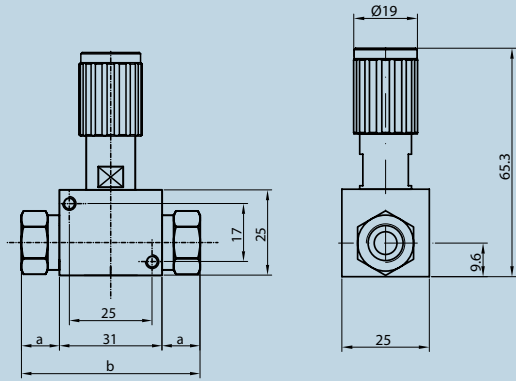
Kv-values high-precision control valves M-Flow (air)

Kv-values for valves NS 1.0 to NS 3.0 (M-Flow 25) and NS 4.0 to NS 6.5 (M-Flow 35)



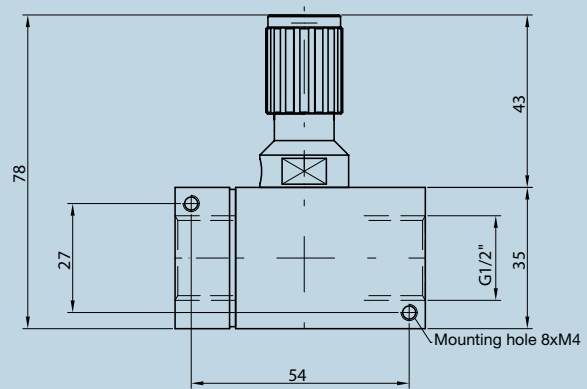
Dimensions high-precision control valves M-Flow

M-Flow 25 (dimensions in mm)

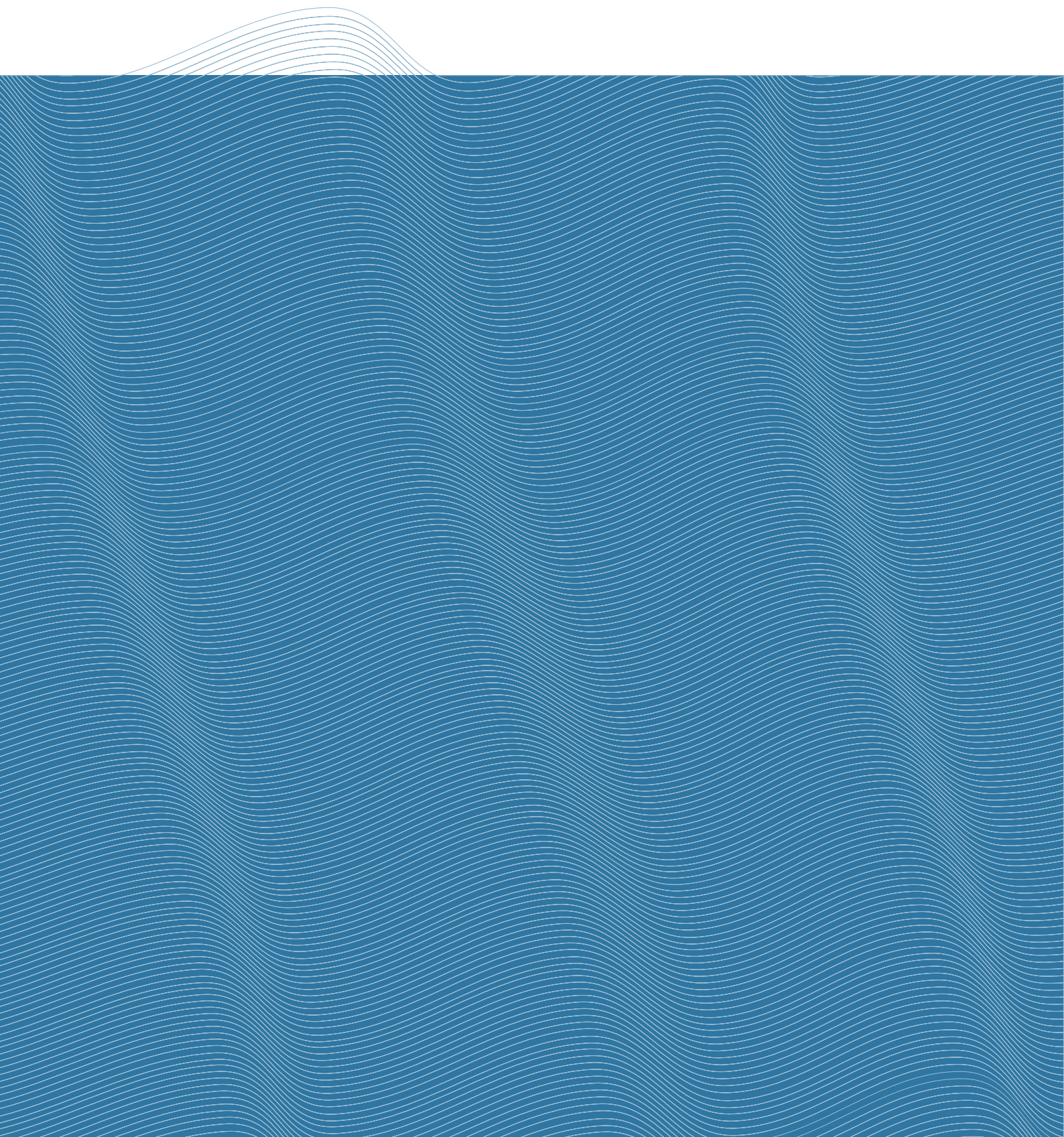


Find detailed dimensions for fittings, knobs and corner valve in the V-Flow Line manual

M-Flow 35 (dimensions in mm)



Find detailed dimensions for fittings and knobs in the V-Flow Line manual



ICENTA 

In Partnership with **vögtlin** 
instruments