

2260 Ultrasonic Level Transmitters



The type 2260 is a rugged, high performance ultrasonic level measurement transmitter, having transducer and processing electronics and a display/programming unit incorporated in one single housing.

All type 2260 Level Transmitters are using established high end pulse echo transducers, which provide narrow beam angles and reliable measurement ranges up to a distance of 15 meters.

For small, stand alone tanks the transmitter provides a simple 2-wire 4 to 20 mA output, with additional power relay contacts. It can be programmed using push buttons and the large, graphic display. For large and/or multiple tank applications versions with HART interface are recommended, communicating directly with a panel mount controller or PLC. The HART protocol can easily be used for programming these versions.

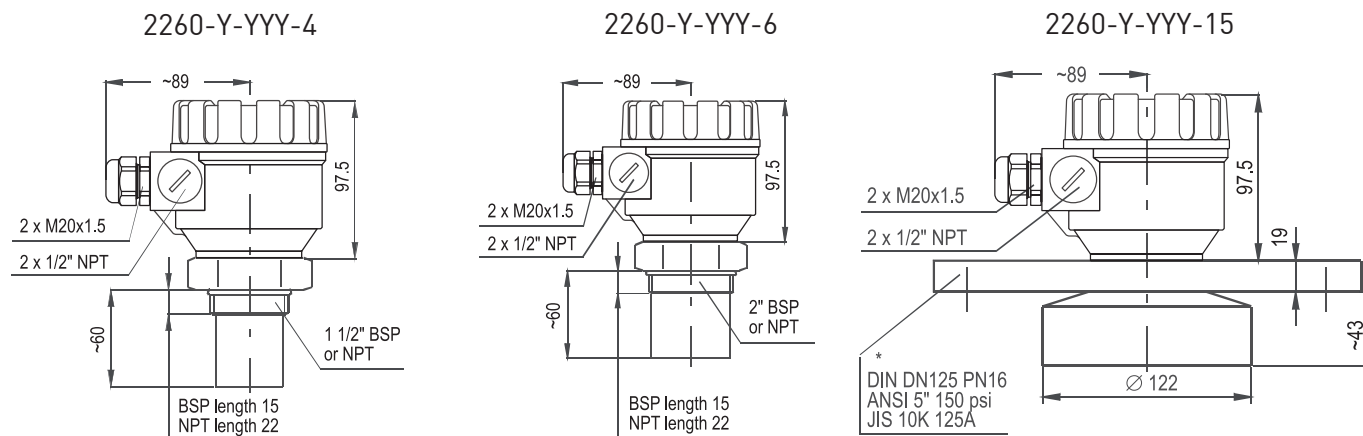
Features

- 2-wire compact transmitters
- Non-contact level metering
- Narrow 5° beam angle
- Fully temperature compensated electronics
- Outstanding signal processing software providing highly accurate measuring results
- PP or PVDF sensor body provides best chemical resistance
- Quick-set menu for efficient installation
- Plug-in keypad and display
- Switching relay for high / low alarm
- 4 to 20 mA / HART interface
- Secondary lightning protection

CE RoHS

Dimensions (mm)

2-wire level transmitters

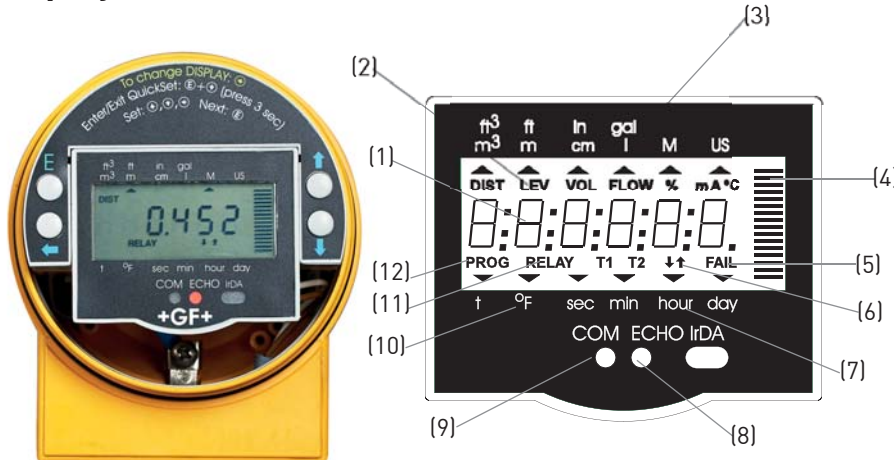


Specifications

General			
Type	2260-Y-YYY-4	2260-Y-YYY-6	2260-Y-YYY-15
Range	0.2 to 4 m / 0.65 to 13 ft	0.25 to 6 m / 0.82 to 20 ft	0.45 to 15 m / 1.5 to 49 ft
Total Beam Angle	6°	5°	5°
Measuring Frequency	80 kHz	80 kHz	40 kHz
Accuracy *	± (0.2 % of measured distance plus 0.05 % of range)		
Resolution	<2 m: 1 mm, 2 to 5 m, 2 mm, 5 to 10 m: 5 mm, >10 m: 10 mm		
Environmental			
Process Temperature	-30 °C to +90 °C		
Ambient Temperature	-25 °C to +70 °C		
Process Pressure (absolute)	0.03 to 0.3 MPa (0.3 to 3 bar)		
Enclosure			
Enclosure Material			
	Sensor Body	PP or PVDF	
	Housing	PBT	
Ingress Protection			
	Sensor	IP 68, NEMA 6P	
	Housing	IP 67, NEMA 6P	
Process Connection	1 1/2" BSP / NPT	2" BSP / NPT	DN 125 / 5 inch flange
Sealing			
	PP sensor	EPDM	
	PVDF sensor	FPM (Viton)	
Electrical			
Outputs	2-wire 4–20 mA , max. 600 Ohm; HART interface, Rt >= 250 Ohm Ω		
Relay	(SPDT) 250V AC, 3A AC1		
Power Supply	12 to 36 V DC / 44 to 800 mW		
Power Consumption	DC 3.6 W, AC 4 VA		
Connection	2 x M20x1,5 plastic cable gland: Cable: Ø6 ... 12 mm		
Standards and Approvals			
General Approvals	CE, RoHS		

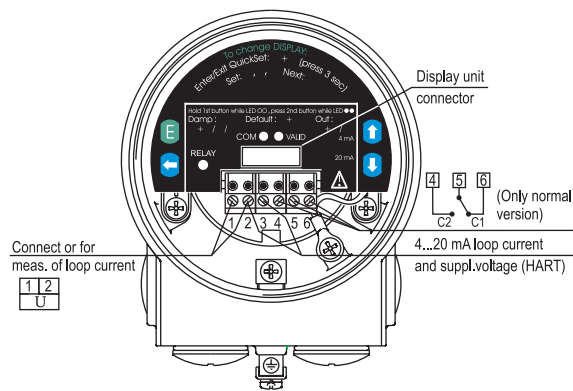
* Under optimal circumstances of reflection and stabilized transducer temperature

Display Unit

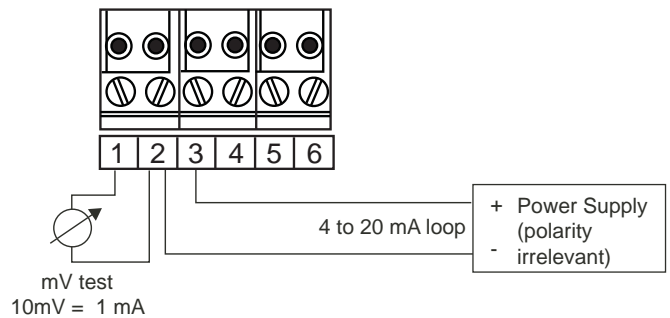


- (1) Primary measured value
- (2) Measurement mode
- (3) Measurement unit / Standard
- (4) Bar graph trend indication
- (5) Measurement error indication
- (6) Liquid movement direction
- (7) Time unit
- (8) Presence of valid echo
- (9) HART communication
- (10) Temperature unit
- (11) Relay status indication
- (12) Programming mode indication

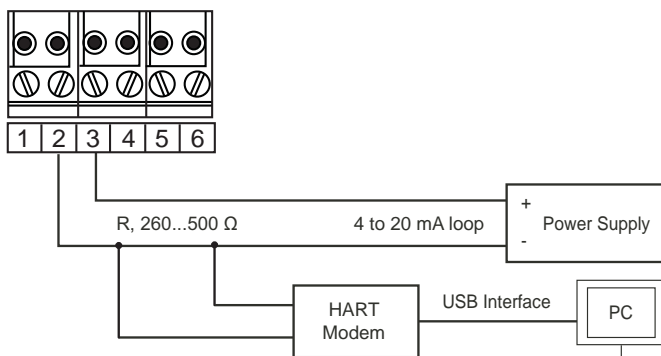
2260 Transmitter Terminals



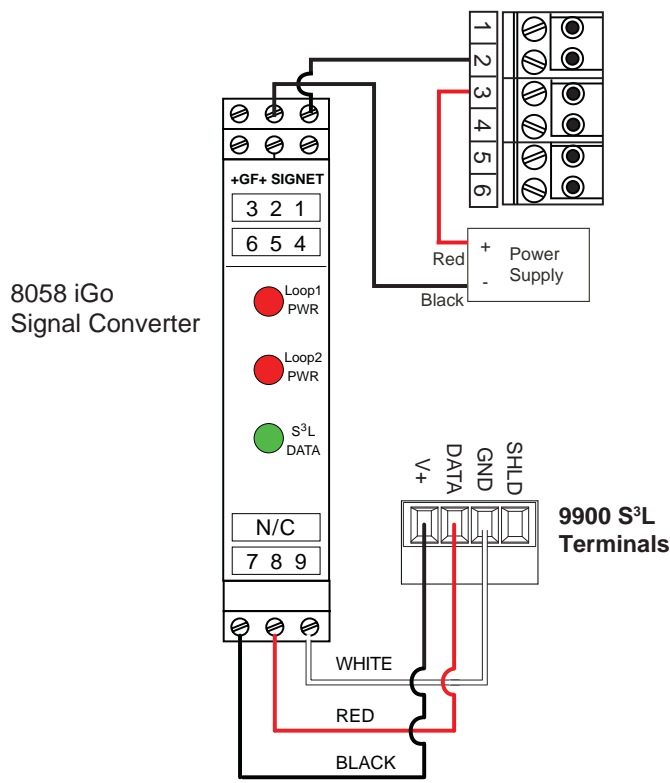
4 to 20 mA Loop Wiring



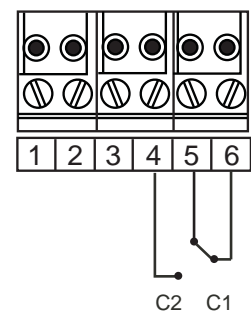
HART Interface Wiring



Wiring to 9900 Universal Transmitter



Relay Output Wiring



Ordering Information

Mfr. Part No	Code	Description
Versions with BSP thread / DIN flange		
2260-P-0DB-4	159 300 090	Range 4 m, PP body, 4 to 20 mA 2-wire, BSP thread
2260-P-2DB-4	159 300 091	Range 4 m, PP body, 4 to 20 mA 2-wire/relay/HART, BSP thread
2260-P-0DB-6	159 300 092	Range 6 m, PP body, 4 to 20 mA 2-wire, BSP thread
2260-P-2DB-6	159 300 093	Range 6 m, PP body, 4 to 20 mA 2-wire/relay/HART, BSP thread
2260-P-0DF-15	159 300 094	Range 15 m, PP body, 4 to 20 mA 2-wire, DIN Flange DN125
2260-P-2DF-15	159 300 095	Range 15 m, PP body, 4 to 20 mA 2-wire/relay/HART, DIN Flange DN125
2260-V-0DB-4	159 300 101	Range 4 m, PVDF body, 4 to 20 mA 2-wire, BSP thread
2260-V-2DB-4	159 300 102	Range 4 m, PVDF body, 4 to 20 mA 2-wire/relay /HART, BSP thread
2260-V-0DB-6	159 300 103	Range 6 m, PVDF body, 4 to 20 mA 2-wire, BSP thread
2260-V-2DB-6	159 300 104	Range 6 m, PVDF body, 4 to 20 mA 2-wire/relay /HART, BSP thread
2260-V-0DF-15	159 300 105	Range 15 m, PVDF body, 4 to 20 mA 2-wire, DIN Flange DN125
2260-V-2DF-15	159 300 106	Range 15 m, PVDF body, 4 to 20 mA 2-wire/relay/HART, DIN Flange DN125

Ordering Information

Mfr. Part No	Code	Description
Versions with NPT thread / ANSI flange		
2260-P-0DN-4	159 300 120	Range 4 m, PP body, 4 to 20 mA 2-wire, NPT thread
2260-P-2DN-4	159 300 121	Range 4 m, PP body, 4 to 20 mA 2-wire/relay/HART, NPT thread
2260-P-0DN-6	159 300 122	Range 6 m, PP body, 4 to 20 mA 2-wire, NPT thread
2260-P-2DN-6	159 300 123	Range 6 m, PP body, 4 to 20 mA 2-wire/relay/HART, NPT thread
2260-P-0DA-15	159 300 124	Range 15 m, PP body, 4 to 20 mA 2-wire, ANSI Flange 5 inch
2260-P-2DA-15	159 300 125	Range 15 m, PP body, 4 to 20 mA 2-wire/relay/HART, ANSI Flange 5 inch
2260-V-0DN-4	159 300 131	Range 4 m, PVDF body, 4 to 20 mA 2-wire, NPT thread
2260-V-2DN-4	159 300 132	Range 4 m, PVDF body, 4 to 20 mA 2-wire/relay/HART, NPT thread
2260-V-0DN-6	159 300 133	Range 6 m, PVDF body, 4 to 20 mA 2-wire, NPT thread
2260-V-2DN-6	159 300 134	Range 6 m, PVDF body, 4 to 20 mA 2-wire/relay/HART, NPT thread
2260-V-0DA-15	159 300 135	Range 15 m, PVDF body, 4 to 20 mA 2-wire, ANSI Flange 5 inch
2260-V-2DA-15	159 300 136	Range 15 m, PVDF body, 4 to 20 mA 2-wire/relay/HART, ANSI Flange 5 inch

