



Overview



The 2-track flowmeter SITRANS FUS380 comes as battery or mains powered and is designed to measure water flow in district heating plants, local networks, boiler stations, substations, chiller plants and other general water applications.

The flowmeter is approved according to heat meter standards EN 1434 class 2 and OIML R75 class 2 and metrological parameters are protected against manipulation. The type approved flowmeter is named SITRANS FUE380.

Technically the meter types SITRANS FUS380 and SITRANS FUE380 are completely identical, only difference is the calibration limit.

Benefits

- Battery powered up to 6 years
- Battery back-up option in case of mains power failure
- Fast measuring frequency 20 Hz/0.5 Hz (230 V AC/Battery)
- Easy one button straight forward display
- 2-track measuring principle for optimum accuracy
- Compact or remote mounting
- Measures on all district water qualities and water conductivities
- No pressure drop
- Long-term stability
- Galvanic isolated digital output for easy connection to a calculator (potential free)
- Dynamic range $Q_{min}:Q_{max}$ up to 1:400

Application

The main application for SITRANS FUS380 is measurement of water flow or water flow in heat meter systems in district heating networks or chilled water.

Combined with an energy calculator and a pair of temperature sensors, SITRANS FUE380 can be used as part of an energy meter system. For this purpose Siemens offers energy calculator SITRANS FUE950.

Design

The 2-track design of SITRANS FUS380 ensures maximum accuracy under short inlet conditions. The flowmeter consists of a flow sensor pipe, 4 transducers/transducer cables and a transmitter SITRANS FUS080.

The unit is available in a compact or a remote version with up to 30 meter distance from flowmeter to transmitter. When ordering a compact version the transducer cables are pre-mounted and ready for installation.

Compact mounting is only possible up to 120 °C (248 °F). The sensor must be isolated to protect transmitter from heat. The transmitter is available in an IP67/NEMA 4X/6 enclosure.

Integration

The flowmeter digital output is often used as input for an energy meter or as input for digital systems for remote reading.

SITRANS FUS380 has two digital output functions that can be individually selected.

Pulse output rate is defined when ordering.

If the flowmeter forms part of an energy meter system for custody transfer, no further approvals are needed, except eventually local approvals on the flowmeter.

SITRANS F flowmeters

SITRANS F US

SITRANS FUS380

Configuration

Selection guide SITRANS FUS380, standard version

Flowmeter size nominal to EN 1092-1		DN 100	DN 125	DN 150	DN 200	DN 250	DN 300	DN 350	DN 400	DN 500	DN 600	DN 700	DN 800	
Flow range ¹⁾	Q_{max} (q_s)	m ³ /h	240	400	560	900	1400	2100	2800	3600	5500	8000	10800	14200
	Q_{min} (q_i)	m ³ /h	0.6	1.0	1.5	2.5	4.0	5.6	7.0	9.5	14.75	21.50	29.0	38.0
Dyn. range	$q_i:q_s$		1:400	1:400	1:373	1:360	1:350	1:375	1:400	1:379	1:373	1:372	1:372	1:373

Selection guide SITRANS FUE380, type approved version

According to EN 1434, class 2, flowmeter values

Flowmeter size nominal to EN 1092-1		DN 100	DN 125	DN 150	DN 200	DN 250	DN 300	DN 350	DN 400	DN 500	DN 600	DN 700	DN 800	
Flow range ¹⁾	Q_{max} (q_s)	m ³ /h	120 or 180	200 or 280	300 or 420	500 or 700	800 or 1120	1120 or 1560	1500 or 2100	1900 or 2660	2950 or 4130	4300 or 6020	5800 or 8120	7600 or 10640
	Q_{nom} (q_p)	m ³ /h	60	100	150	250	400	560	750	950	1475	2150	2900	3800
	Q_{min} (q_i)	m ³ /h	0.6	1.0	1.5	2.5	4.0	5.6	7.5	9.5	14.75	21.5	29.0	38.0
Pulse value		l/pulse	2.5	2.5	10	10	10	50	50	50	100	100	100	100

According to OIML R75, class 2, flowmeter values

Flowmeter size nominal to EN 1092-1		DN 100	DN 125	DN 150	DN 200	DN 250	DN 300	DN 350	DN 400	DN 500	DN 600	DN 700	DN 800	
Flow range ¹⁾	Q_{max} (q_s)	m ³ /h	180	280	420	700	1120	1560	2100	2660	4160	6020	8120	10640
	Q_{nom} (q_p)	m ³ /h	120	200	300	500	800	1120	1500	1900	2950	4300	5800	7600
	Q_{min} (q_i)	m ³ /h	1.2	2.0	3.0	5.0	8.0	11.2	15.0	19.5	29.5	43.0	58.0	76.0
Pulse value		l/pulse	2.5	2.5	10	10	10	50	50	50	100	100	100	100

Dynamic range $q_i:q_p$: better than 1:100 according to EN 1434 and OIML R75 class 2

Low flow cut off: 0.2% of q_p (nominal)

In order to obtain best pulse output resolution in the range $Q_{min} - Q_{max}$ of approx. 100 Hz at q_s , two or three values for every dimension can be selected at ordering.

1) Other flow ranges - see MLFB ordering table

Technical specifications

Pipe design	2-track sensor with flanges and integrated transducers wet calibrated from factory
Nominal size welded version	DN 100, 125, 150, 200, 250, 300, 350, 400, 500, 600, 700, 800
Pressure rate	PN 16, PN 25, PN 40 EN 1092-1
Pipe material	Carbon Steel EN 1.0345 / p235 GH
Transducer design	Integrated version welded onto the pipe
Transducer material	Stainless steel AISI 316

Sensor operating conditions

Storage	-40 ... +85 °C (-40 ... +185 °F)
Liquid temperature	<ul style="list-style-type: none"> Remote: 2 ... 200 °C (35.6 ... 392 °F) Compact: 2 ... 120 °C (35.6 ... 248 °F)
Degree of protection	Sensor connection IP67/NEMA 4X/6
Max. flow velocity	DN 100 ... 800: <ul style="list-style-type: none"> FUS380: 8 m/s (26.2 ft/s) FUE380: 6 m/s (19.7 ft/s)

Transmitter

Display	LCD, 8 digits, additional 2 digits and symbols for status information
Push button	One push button for display information
Communication	IrDA – optical communication interface with MODBUS RTU protocol (MODBUS module available from May 2006)

Enclosure	IP67/NEMA 4X/6 to EN 60529 and DIN 40050
Temperature ambient	0 ... 60 °C (32 ... 140 °F)
Temperature storage	-40 ... +85 °C (-40 ... +185 °F) (battery included)
Installation	Compact on sensor: max. 120 °C (248 °F), Separate: max. 30 m (98.4 ft) from transmitter
Mechanical vibration	2 g, 1 ... 800 Hz sinusoidal in all directions to IEC 68-2-6
Design	Fibre-glass reinforced polyamide
Power supply	<ul style="list-style-type: none"> Battery: replaceable 3.6 V LiSOCl (Lithium Thionyl Chloride) battery pack 32 Ah Mains: 87 ... 265 V AC (50 ... 60 Hz)
Measuring rate	Battery mode: 0.5 Hz Mains supply: 20 Hz Back-up mode: 0.5 Hz (at mains supply drop)
Digital output	Two passive individual galvanically isolated MOS relay outputs, A and B, max. ±35 V AC/DC, 50 mA
Max pulse frequency	100 Hz
Alarm indication	Track 1 (F1), track 2 (F2), Low battery indication (F5), q_s overflow (F6), pulse overflow (F7)
Cable length	Max. 30 m (98.4 ft) between transmitter and sensor
EMC	<ul style="list-style-type: none"> Emission EN 61000-6-4 Immunity EN 61000-6-2
Approvals	EN 1434 and OIML R75 Class 2 (EN version from 1. July 2002)



SITRANS F flowmeters SITRANS F US

SITRANS FUS380

Type dependent settings

	FUS380	FUE380
Flow value	Predefined settings according to dimension	Predefined according to EN 1434 / OIML R75
Approval	No approval	Country specific
Flow rate v_f	0.02 ... 8 m/s (0.065 ... 26.2 ft/s)	0.02 ... 6 m/s (0.065 ... 19.7 ft/s)
Output A	Forward / reverse	Preset: Forward
Output B	Preset: Alarm	Preset: Alarm
Output B, function	Reverse pulse, alarm, call-up	Preset: Alarm
Pulse value A & B (depending on DN value)	0.5 l/p 1 l/p 2.5 l/p 10 l/p 50 l/p 100 l/p 250 l/p 500 l/p 1 m ³ /p 2.5 m ³ /p 5 m ³ /p 10 m ³ /p 25 m ³ /p 50 m ³ /p 100 m ³ /p 250 m ³ /p 500 m ³ /p 1000 m ³ /p	Preset: See scheme - previous page Preset for SITRANS FUE950 or free selectable
Pulse width	5/10/20/50/100/200/500 ms	Preset: 5 ms
Flow unit setup	Preset: m ³ /h	Preset: m ³ /h
Volume unit setup	Preset: m ³	Preset: m ³

SITRANS FUE380 uncertainty

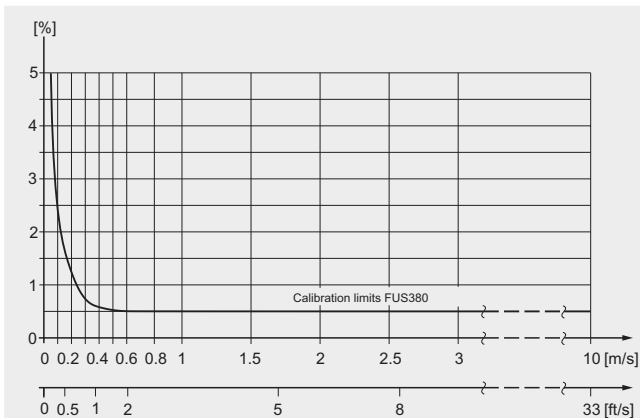
To ensure continuous accurate measurement, flowmeters must be calibrated. The calibration is conducted at SIEMENS flow facilities accredited according to ISO/IEC 17025 by DANAK or UKAS.

The accreditation bodies DANAK and UKAS have signed the ILAC MRA agreement (International Laboratory Accreditation Corporation - Mutual Recognition Arrangement). Therefore the accreditation ensures international traceability and recognition of the test results in 39 countries world wide, including the US (NIST traceability).

A calibration certificate is shipped with every SITRANS FUS380/FUE380.

Accuracy SITRANS FUS380:

Standard calibration: Better than 0.5% of rate, 0.5 m/s < v < 8 m/s
v < 0.5 m/s, 0.5 + 0.25/v [%]



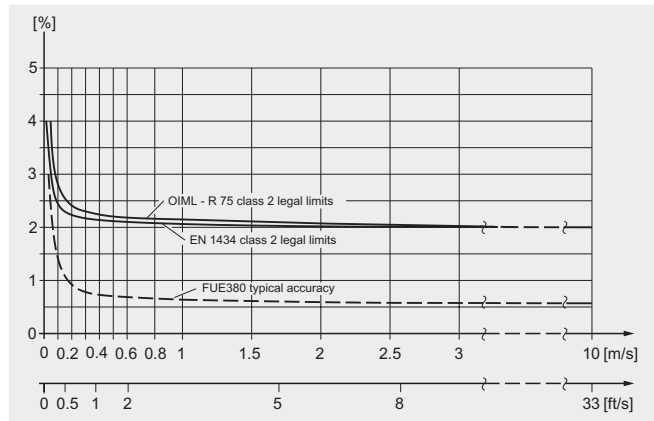
Typical accuracy SITRANS FUE380:

$$0.5 + 0.02 \frac{q_p}{q} [\%]$$

q_p according to EN 1434/OIML requirements.

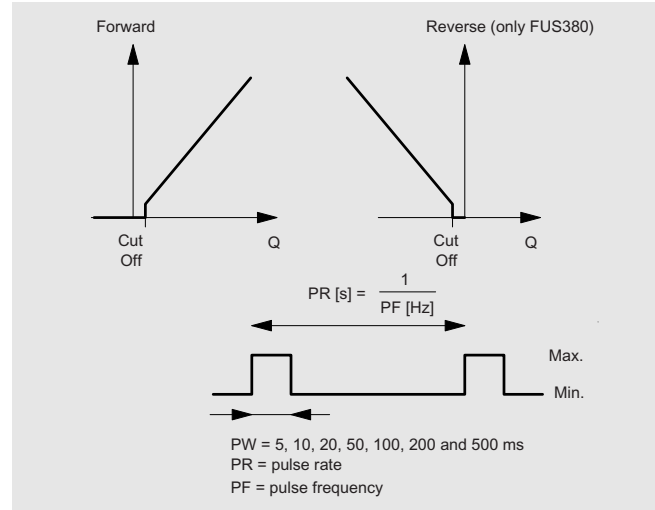
Example: DN 100, $q_p = 60 \text{ m}^3/\text{h}$ at $q = 1.2 \text{ m}^3/\text{h}$:

Accuracy = typical 1.5 %

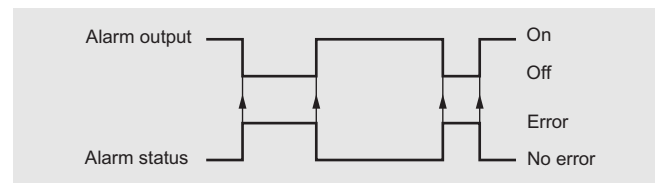


SITRANS FUE380 fulfils the requirements $E_f = \pm(2 + 0.02 \frac{q_p}{q_i}) \text{ max. } \pm 5\%$, according to EN 1434 and OIML R75, class 2 revised 1. July 2002

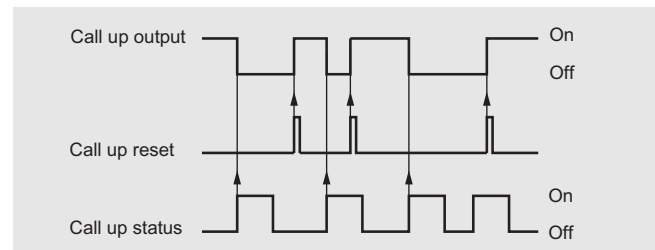
Output configuration SITRANS FUS380/FUE380



Pulse volume: output A/B configured as volume per pulse, calculated on forward/reverse or net forward/reverse flow. The volume per pulse is free scaleable (FUS380 only).



Pulse output B can be used as stated above or as alarm or call up function



Call up: the call up output is active until manually reset by use of PDM program. The callup function is activated when an alarm is activated.

SITRANS F flowmeters

SITRANS F US

SITRANS FUS380

Selection and Ordering data	Order-No.	Order code
Flowmeter SITRANS FUS380 (standard)	7ME3400-	
Flowmeter SITRANS FUE380 (type approved)	7ME3410-	

SITRANS FUS380 (standard) 7ME3400

Diameter	Qp [m ³ /h]	Qs [m ³ /h]	
DN 100 / 4"	60	60	1 N
DN 100 / 4"	60	180	1 Q
DN 100 / 4"	120	240	1 R
DN 125 / 5"	100	100	1 S
DN 125 / 5"	100	280	1 U
DN 125 / 5"	200	400	1 V
DN 150 / 6"	150	150	2 A
DN 150 / 6"	150	420	2 C
DN 150 / 6"	300	560	2 D
DN 200 / 8"	250	250	2 E
DN 200 / 8"	250	700	2 G
DN 200 / 8"	500	900	2 H
DN 250 / 10"	400	400	2 J
DN 250 / 10"	400	1120	2 L
DN 250 / 10"	800	1400	2 M
DN 300 / 12"	560	560	2 N
DN 300 / 12"	560	1560	2 Q
DN 300 / 12"	1120	2100	2 R
DN 350 / 14"	750	750	2 S
DN 350 / 14"	750	2100	2 U
DN 350 / 14"	1500	2800	2 V
DN 400 / 16"	950	950	3 A
DN 400 / 16"	950	2660	3 C
DN 400 / 16"	1900	3600	3 D
DN 500 / 20"	1475	1475	3 J
DN 500 / 20"	1475	4130	3 L
DN 500 / 20"	2950	5500	3 M
DN 600 / 24"	2150	2150	3 S
DN 600 / 24"	2150	6020	3 U
DN 600 / 24"	4300	8000	3 V
DN 700 / 28"	2900	2900	4 E
DN 700 / 28"	2900	8120	4 G
DN 700 / 28"	5800	10800	4 H
DN 800 / 32"	3800	3800	4 N
DN 800 / 32"	3800	10640	4 Q
DN 800 / 32"	7600	14200	4 R

SITRANS FUE380 (type approved) 7ME3410

Diameter	Qp [m ³ /h]	Qs [m ³ /h]	
DN 100 / 4"	60 ¹⁾	120	1 P
DN 100 / 4"	60 ¹⁾	180	1 Q
DN 100 / 4"	120 ²⁾	180	1 R
DN 125 / 5"	100 ¹⁾	200	1 T
DN 125 / 5"	100 ¹⁾	280	1 U
DN 125 / 5"	200 ²⁾	280	1 V
DN 150 / 6"	150 ¹⁾	300	2 B
DN 150 / 6"	150 ¹⁾	420	2 C
DN 150 / 6"	300 ²⁾	420	2 D
DN 200 / 8"	250 ¹⁾	500	2 F
DN 200 / 8"	250 ¹⁾	700	2 G
DN 200 / 8"	500 ²⁾	700	2 H
DN 250 / 10"	400 ¹⁾	800	2 K
DN 250 / 10"	400 ¹⁾	1120	2 L
DN 250 / 10"	800 ²⁾	1120	2 M
DN 300 / 12"	560 ¹⁾	1120	2 P
DN 300 / 12"	560 ¹⁾	1560	2 Q
DN 300 / 12"	1120 ²⁾	1560	2 R

Selection and Ordering data	Order-No.	Order code
Flowmeter SITRANS FUS380 (standard)	7ME3400-	
Flowmeter SITRANS FUE380 (type approved)	7ME3410-	

Diameter

Diameter	Qp [m ³ /h]	Qs [m ³ /h]	
DN 350 / 14"	750 ¹⁾	1500	2 T
DN 350 / 14"	750 ¹⁾	2100	2 U
DN 350 / 14"	1500 ²⁾	2100	2 V
DN 400 / 16"	950 ¹⁾	1900	3 B
DN 400 / 16"	950 ¹⁾	2660	3 C
DN 400 / 16"	1900 ²⁾	2660	3 D
DN 500 / 20"	1475 ¹⁾	2950	3 K
DN 500 / 20"	1475 ¹⁾	4130	3 L
DN 500 / 20"	2950 ²⁾	4130	3 M
DN 600 / 24"	2150 ¹⁾	4300	3 T
DN 600 / 24"	2150 ¹⁾	6020	3 U
DN 600 / 24"	4300 ²⁾	6020	3 V
DN 700 / 28"	2900 ¹⁾	5800	4 F
DN 700 / 28"	2900 ¹⁾	8120	4 G
DN 700 / 28"	5800 ²⁾	8120	4 H
DN 800 / 32"	3800 ¹⁾	7600	4 P
DN 800 / 32"	3800 ¹⁾	10640	4 Q
DN 800 / 32"	7600 ²⁾	10640	4 R

Flange norm and pressure rating

No pipe (only FUS080)

EN 1092-1

PN 16 (DN 100 ... 800)

PN 25 (DN 200 ... 800)

PN 40 (DN 100 ... 250)

Compact / remote connection

Compact version, max. 120 °C (248 °F)

Remote version, max. 200 °C (392 °F)

5 m (16.4 ft)

10 m (32.8 ft)

20 m (65.6 ft)

30 m (98.4 ft)

Approvals / pulse output

Without approval (neutral)

Selectable pulse output

Only FUE380

With approval marks

Selectable pulse output

With approval marks and seal

Selectable pulse output

Without approval (neutral)

Preset pulse output for FUE950 energy meter

With approval marks

Preset pulse output for FUE950 energy meter

With approval marks and seal

Preset pulse output for FUE950 energy meter

¹⁾ EN 1434 flow values

²⁾ OIML R75 flow values

Please also see www.siemens.com/SITRANSOrdering for practical examples of ordering.



SITRANS F flowmeters SITRANS F US

SITRANS FUS380

Selection and Ordering data	Order-No.	Order code
Flowmeter SITRANS FUS380 (standard)	7ME3400-	
Flowmeter SITRANS FUE380 (type approved)	7ME3410-	
Pulse value		
1 l/pulse	2	
2.5 l/pulse (DN 100, DN 125 SITRANS FUE950)	3	
10 l/pulse (DN 150 ... DN 250 SITRANS FUE950)	4	
50 l/pulse (DN 300 ... DN 400 SITRANS FUE950)	5	
100 l/pulse (DN 500 ... DN 800 SITRANS FUE950)	6	
250 l/pulse	7	
1 m ³ /pulse	8	
0.5 l/pulse	9	N0B
5 l/pulse	9	N0C
25 l/pulse	9	N0D
500 l/pulse	9	N0E
2.5 m ³ /pulse	9	N0F
5 m ³ /pulse	9	N0G
10 m ³ /pulse	9	N0H
25 m ³ /pulse	9	N0J
50 m ³ /pulse	9	N0K
100 m ³ /pulse	9	N0L
250 m ³ /pulse	9	N0M
500 m ³ /pulse	9	N0N
1000 m ³ /pulse	9	N0P
Transmitter SITRANS FUS080/FUE080		
IP67/NEMA 4X/6, 115 ... 230 V AC		B
IP67/NEMA 4X/6 (3.6 V battery supply)		D
IP67/NEMA 4X/6, 115 ... 230 V AC, including 3.6 V battery back up		E
IP67/NEMA 4X/6, 3.6 V battery version (no battery included) ¹⁾		G
Country / approval type ²⁾		
No approval mark		A
Only FUE380		
Denmark, EN 1434/OIML R75		E
Russia, EN 1434/OIML R75		M
Pulse width setup		
5 ms (standard for SITRANS FUE950)	2	
10 ms	3	
20 ms	4	
50 ms	5	
100 ms	6	
200 ms	7	
500 ms	8	

Additional information	Order code
Please add „-Z“ to Order No. and specify Order code(s) and plain text.	
<u>Calibration / verification</u>	D10 ¹⁾
Calibration 2 x 3 points. Max. flow 50 ... 250 m ³ /h depending on dimension	
Calibration 2 x 3 points. Max flow 250 ... 1300 m ³ /h depending on dimension	D11 ¹⁾
Calibration 2 x 3 points. Max flow 140 ... 4200 m ³ /h depending on dimension	D12 ¹⁾
Accredited Siemens ISO/IEC 17025 calibration. Max. flow 50 ... 250 m ³ /h, depending on dimension	D20
Accredited Siemens ISO/IEC 17025 calibration. Max. flow 250 ... 1300 m ³ /h depending on dimension	D21
Accredited Siemens ISO/IEC 17025 calibration. Max. flow 1400 ... 4200 m ³ /h depending on dimension	D22
<u>Material certificate</u>	
EN 10204-3.1.B	F10
<u>Tag name plate</u>	
Stainless steel tag with 12 mm characters, max. 15 characters (add plain text)	Y17
Self-adhesive plastic tag with 8 mm characters, max. 15 characters (add plain text)	Y18
1) Only selectable in SITRANS FUE380	

MLFB Ordering example

Customer requires a flowmeter for custody transfer:

- DN 250, PN 25, compact version (media temperature max. 120 °C), battery version.
- Type approved according to EN 1434, verified and sealed.
- Pulse output for energymeter SITRANS FUE950.

Ordering:

FUE380: **7ME3410-2KD05-4DE2**

Example of appropriate energy meter:

Energy meter type: **FUE950-03110-0R1CB-10300-DK2-00012**

¹⁾ Lithium batteries are subject to special transportation regulations according to United Nations "Regulation of Dangerous Goods, UN 3090 and UN 3091". Special transport documentation is required to observe these regulations. This may influence both transport time and costs.

²⁾ Other countries in progress

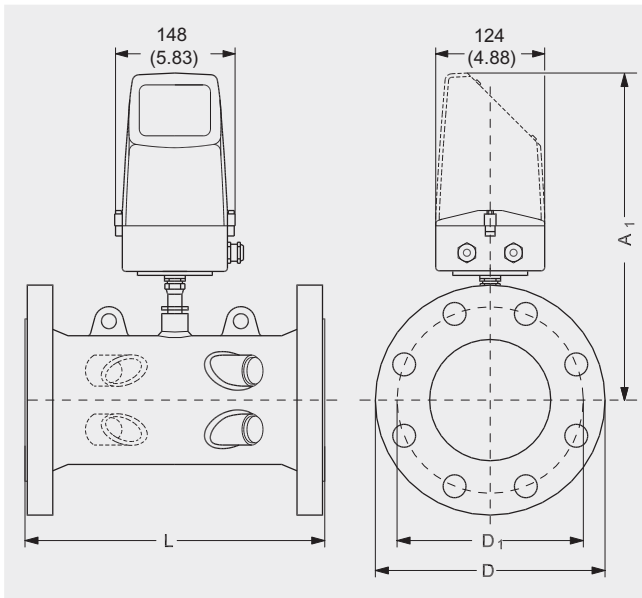
Please also see www.siemens.com/SITRANSForordering for practical examples of ordering.

SITRANS F flowmeters

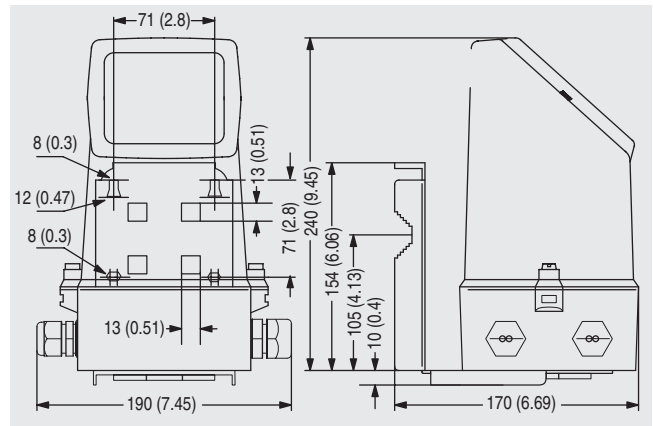
SITRANS F US

SITRANS FUS380

Dimensional drawings



Transmitter IP67/NEMA 4X/6, wall mounting



Pipe Dimensions

Size	PN 16		PN 25		PN 40		A1	D	D ₁	Lift hug
	L	Weight	L	Weight	L	Weight				
DN	mm	kg	mm	kg	mm	kg	mm	mm	mm	
100	350+0-2	20	-	-	350+0-3	16.5	361	220	180	No
125	350+0-2	23	-	-	350+0-3	53	374	250	210	No
150	500+0-3	26	-	-	500+0-3	32	388	285	240	Yes
200	500+0-3	38	500+0-3	47	500+0-3	55	414	340	295	Yes
250	600+0-3	60	600+0-3	76	600+0-3	91	440	405	355	Yes
300	500+0-3	66	500+0-3	81	-	-	466	460	410	Yes
350	550+0-3	94	550+0-3	121	-	-	-	-	-	-
400	550+0-3	124	550+0-3	153	-	-	507	580	525	Yes
500	625+0-3	190	625+0-3	244	-	-	558	715	650	Yes
600	750+0-3	303	750+0-3	365	-	-	609	840	770	Yes
700	875+0-3	361	875+0-3	552	-	-	660	910	840	Yes
800	1000+0-3	494	1000+0-3	770	-	-	710	1025	950	Yes

Weight electronics 1.5 kg (3.3 lb)

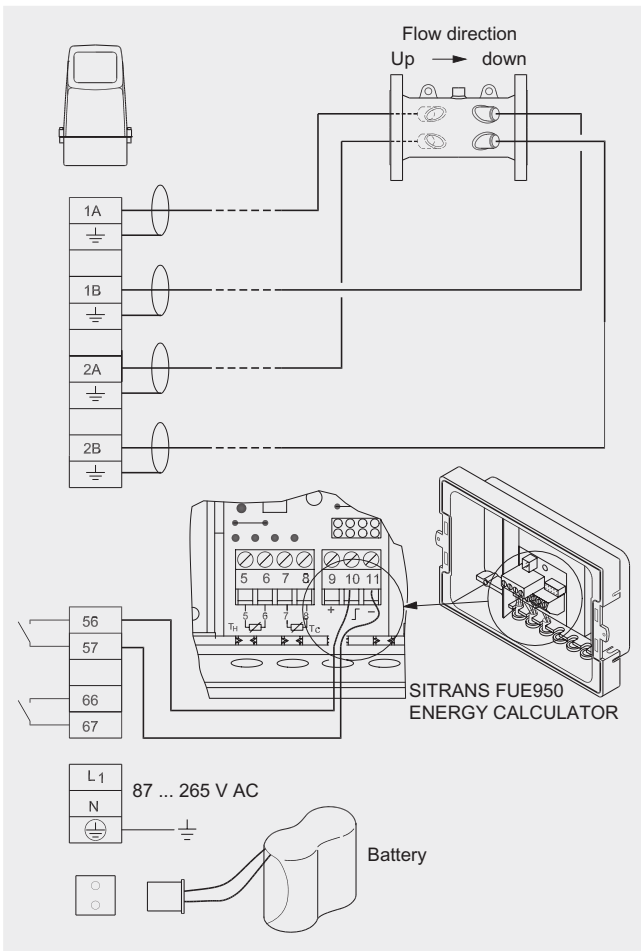
Size	PN 16		PN 25		PN 40		A1	D	D ₁	Lift hug
	L	Weight	L	Weight	L	Weight				
inch	inch	lb	inch	lb	inch	lb	inch	inch	inch	
4	13.77+0-0.08	44	-	-	13.77+0-0.12	36	14.21	8.66	7.09	No
5	13.77+0-0.08	50	-	-	13.77+0-0.12	117	14.72	9.84	8.27	No
6	19.68+0-0.12	57	-	-	19.68+0-0.12	71	15.28	11.22	9.45	Yes
8	19.68+0-0.12	84	19.68+0-0.12	104	19.68+0-0.12	121	16.30	13.39	11.61	Yes
10	23.62+0-0.12	132	23.62+0-0.12	168	23.62+0-0.12	201	17.32	15.94	13.98	Yes
12	19.68+0-0.12	146	19.68+0-0.12	179	-	-	18.35	18.11	16.14	Yes
14	21.65+0-0.12	207	21.65+0-0.12	267	-	-	-	-	-	-
16	21.65+0-0.12	273	21.65+0-0.12	337	-	-	19.96	22.83	20.67	Yes
20	24.61+0-3	419	24.61+0-3	538	-	-	21.97	28.15	25.59	Yes
24	29.53+0-0.12	668	29.53+0-0.12	805	-	-	23.98	33.07	30.31	Yes
28	34.45+0-0.12	796	34.45+0-0.12	1217	-	-	25.98	35.83	33.07	Yes
32	39.37+0-0.12	1089	39.37+0-0.12	1698	-	-	27.95	40.35	37.40	Yes

Weight electronics 1.5 kg (3.3 lb)

- Means not available



Schematics



The scheme shows the transducer cable connections between transmitter terminals and respective transducer and the electrical connection of the energy calculator SITRANS FUE950.