

Application



The general purpose level controller is offered in two configurations for pump and valve control. The LC10 accepts one level sensor input and provides one 16A relay for high level control or low level control. The LC11 accepts two level sensor inputs and provides one latching 16A relay for automatic fill or empty control. The optional flash alarm brings attention to level alarm conditions. Package this level controller with our liquid level switch sensors and fittings.



Features

- ✓ Fail-safe relay control of pumps or valves with 0-60 second delay
- ✓ Optional strobe brings immediate attention to level alarm conditions
- ✓ Polypropylene enclosure rated NEMA 4X with swivel base for conduit alignment
- ✓ Easy setup with LED indicators for sensor, power and relay status
- ✓ Invert switch changes relay state from NO to NC without rewiring

Key Benefits

- ✓ Connects to any Flowline level switch
- ✓ Can be installed outdoors in any GP environment
- ✓ Interfaces directly with any horn, buzzer, valve, etc.
- ✓ Use LC11 versions for automatic fill/empty applications
- ✓ Add strobe for optional visual alarm

Compatible Products

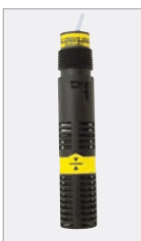
Switch-Tek™ Level Switch Sensors



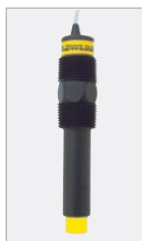
LU10
Ultrasonic



LZ12
Vibration



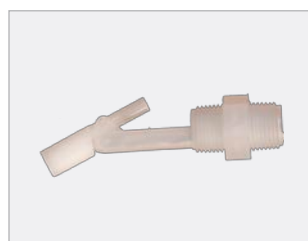
LV10
Buoyancy



LP15
Capacitance



LO10
Leak Detection



LH25
Mini-Float

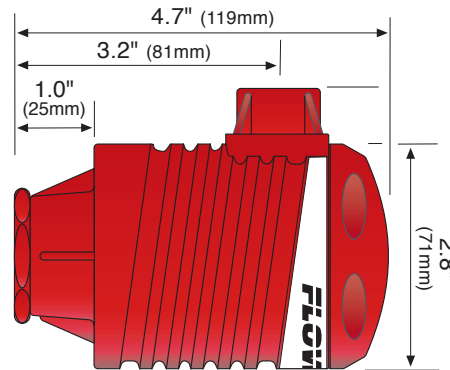


LH35
High Temp Float

Specifications

Supply voltage: 120 / 240 VAC, 50-60 Hz
 Consumption: 5 watts maximum
 Sensor inputs: LC10: (1) two wire level switch
 LC11: (2) two wire level switches
 Sensor supply: 13.5 VDC @ 27 mA
 LED indication: Sensor, power & relay
 Strobe type: -10X1: N/A
 -10X2: Xenon tube
 Strobe flash: -10X1: N/A
 -10X2: (1) per second
 Contact type: LC10: (1) SPDT relay
 LC11: (1) SPDT relay, latching
 Contact rating: 250 VAC @ 16A
 Contact output: Selectable NO / NC
 Contact delay: 0-60 seconds
 Contact latch: LC10: N/A
 LC11: Selectable ON / OFF
 Ambient temp.: F: -40° to 158°
 C: -40° to 70°
 Enclosure rating: NEMA 4X (IP65)
 Enclosure mat.: -10X1: PP, UL94VO
 -10X2: PP, UL94VO & PC
 Conduit entrance: 1/2 NPT
 Enclosure mount: 3/4" NPT (3/4" Rp)
 Classification: General purpose
 Compliance: CE
 Approvals: CSA, LR 79326

Dimensions



Accessories



Strobe Alert

The controller with Strobe Alert configuration flashes when the relay is energized during a high or low level alarm condition.

Ordering

LC1 -10

- Contact / input(s) (1)**
- 0 1 Relay / 1 sensor
- 1 1 Latching relay / 2 sensors
- Enclosure mount**
- 0 NPT (US)
- 5 Rp (Metric)
- Configuration**
- 1 Controller only
- 2 Controller with Strobe Alert

Notes

- 1) The level controller is compatible with level switch packages (junction box type) and level switch sensors.