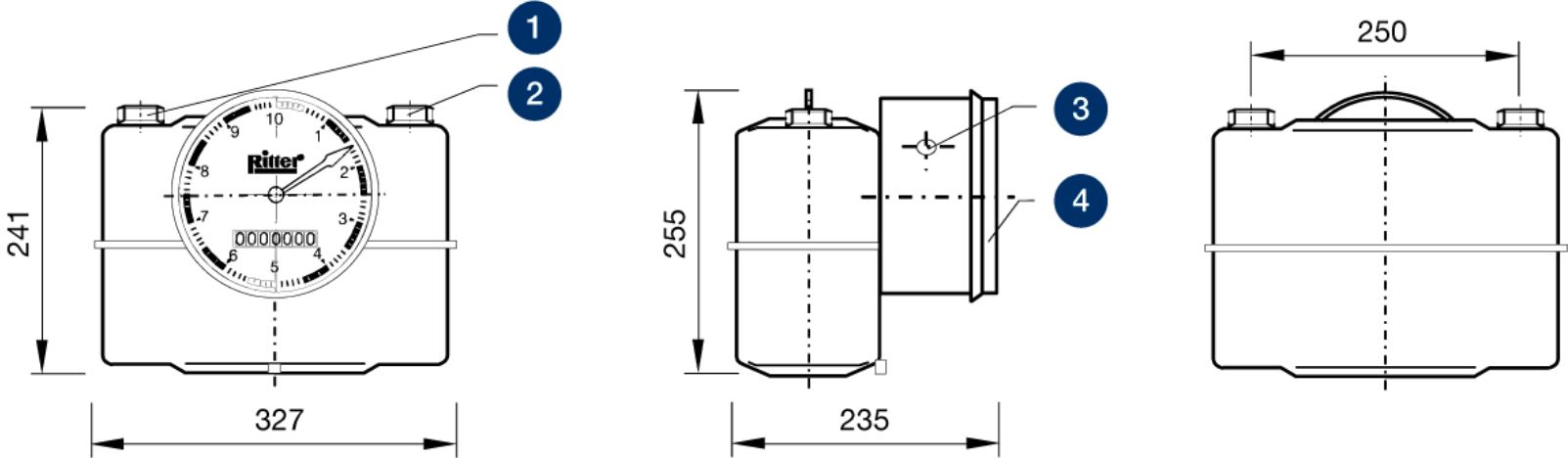


RITTER Bellows-type Gas Meter BG 4

RITTER DATA SHEET / BELLOWS-TYPE GAS METERS



Legend

1. Gas inlet
2. Gas outlet
3. Pulse generator port (option)
4. Removable cover

Performance Data

Minimum flow Q_{\min}	40	ltr/h
Standard flow Q_{standard}	3,000	ltr/h
Maximum flow Q_{\max}	6,000	ltr/h
Measurement accuracy ⁽²⁾	2	%
Measuring cavity capacity	2	ltr/U
Temperature range	-20 to +50	°C

Maximum gas inlet pressure	300	mbar
Minimum differential pressure ⁽¹⁾	1	mbar
Minimum dial division	0.1	ltr
Indication dial plate	10	ltr
Maximum indication value ⁽³⁾	99,999,999	ltr
Weight	4.6	kg

- > ⁽¹⁾ Differential pressure (= pressure loss) gas inlet gas outlet
- > ⁽²⁾ Across the measuring range in relation to the calibration value at nominal flow
- > ⁽³⁾ Standard Totalizing Roller Counter

No reverse flow direction possible!

Models (materials)

- › Casing: zinc-coated steel sheet (soldered) with outside also lacquered
- › Measuring unit: Tinplate
- › Bellows (within measuring unit): textile-reinforced nitrile rubber (Perbunan®)
- › Rod linkage: Polyamide
- › Slide gate: Bakelite

Standard Equipment

- › 8 or 9-digit Totalizing Roller Counter
- › Large, One-needle Dial
- › Magnetic Coupling (between the measuring drum and counting mechanism)
- › Screw Connection 1" (G 1 A, DIN ISO 228)
- › Twin-Chamber Measuring Unit

Built-in Options

- › **LCD Display** , resettable, 8-digit (replaces Totalizing Roller Counter)
- › **Pulse Generator** , standard or Ex-proof version (for connecting Electronic Display Unit/Computer)

Accessories

- › **Thermometer (BG)**
- › **Manometer for pressure $p_{max} = 60$ mbar**
- › **Electronic Display Unit »EDU 32 FP«** , displays volume and calculates flow rate via RS232 and analog-output in realtime (pulse generator required)
- › Nozzles for flexible tube connection

V 3.0 / Rev. 2023-05-24 / Subject to alterations.

The most recent version of this data-sheet can be found at ...

<https://www.ritter.de/en/bg-4/>

Dr.-Ing. RITTER Apparatebau GmbH & Co. KG · Coloniastrasse 19-23 · D-44892 Bochum · Germany

For questions please contact mailbox@ritter.de or your local distribution partner ([on our overview page](#))